



SERIES 805 TRIPLE-START ACME THREAD Mighty Mouse Connectors and Cables



Glass-Sealed Hermetic Receptacle with PC Tail Coax Contacts



Series 805 Hermetic Receptacles feature gold plated nickel-iron alloy contacts and compression glass dielectric material. Connectors are 100% tested to meet 1×10^{-7} ccHe/sec at 1 atm helium leak rate. Stainless steel connector shells provide excellent corrosion protection. Viton® O-rings offer improved resistance to high temperature and harsh chemicals.

NOTES

- Material/Finish
 - Shell, jam nut: CRES, passivated or plated see part number development / N.A.
 - Contacts hermetic: nickel alloy/gold plated / N.A.
 - Contacts, socket: copper/gold plated
 - Insulator, hermetic: full glass / N.A.
 - Insulator, co-ax: rigid dielectric / N.A.
 - Seals, o-rings: fluorosilicone blend / N.A.
- Performance Test Criteria:
 - Hermeticity: 1×10^{-7} ccHe/sec at 1 ATM differential
 - I.R.: 5000 megohms min @500VDC
- Connector will mate with all quick-coupling plug connectors having the same shell size, contact arrangement, and opposite contact gender (co-ax socket.)
- Frequency range:
 - size 16: up to 700 MHz
 - size 12: up to 3 Ghz
- See PCB footprints referenced in section B, page 8
- See page J-11 for recommended panel cut-outs

How To Order	
Sample Part Number	805-130 -07 Z1 18-5 C A -50
Series	805-130 = Hermetic Receptacle
Shell Style (See Table I)	-02 = Square Flange Mount -03 = Solder Mount Receptacle -07 = Jam Nut Rear Panel Mount
Shell Material and Finish	Z1 = Stainless Steel / Passivated (RoHS) ZL = Stainless Steel / Nickel Plated
Shell Size - Insert Arrangement	See Contact Arrangements page J-6, contact size 16 and 12 only
Contact Type	C = Coax Pin Face D = Coax Socket Face
Keyway Position (See Table II)	A = Pos. A B = Pos. B C = Pos. C D = Pos. D E = Pos. E F = Pos. F
Nominal Impedance	50 = 50 OHM (#12 & 16) 75 = 75 OHM (#12 ONLY)

Table I: Shell Style

-07 Jam-Nut, Rear Panel Mount	-02 Square Flange	-03 Solder Mount

Table II: Keyway Positions

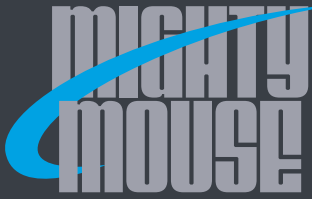
Key Position	Key Rotation	
	A°	B°
A	150°	210°
B	75°	210°
C	95°	230°
D	140°	275°
E	75°	275°
F	95°	210°

DWV Rating

Contact Sizes	Test Voltage
23	750 Vac
20 HD	1000 Vac
16, 12, 8	1800 Vac
16 CO-AX**	800 Vac
12 CO-AX**	1000 Vac

**Inner contact to outer contact

SERIES 805 TRIPLE-START ACME THREAD

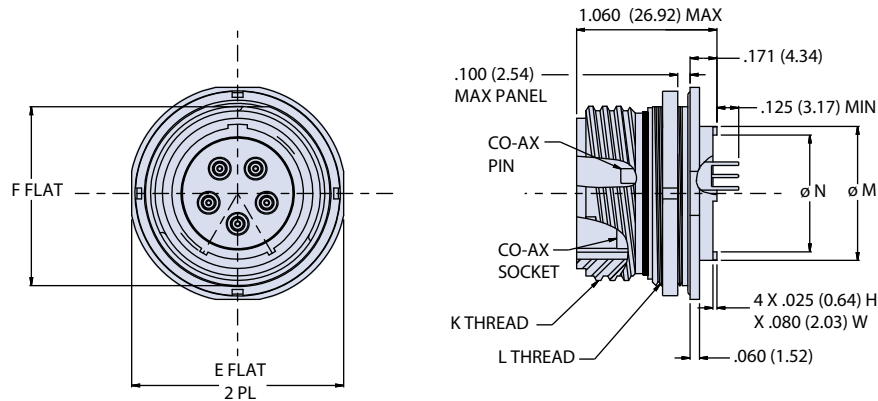


SERIES 805 TRIPLE-START ACME THREAD Mighty Mouse Connectors and Cables

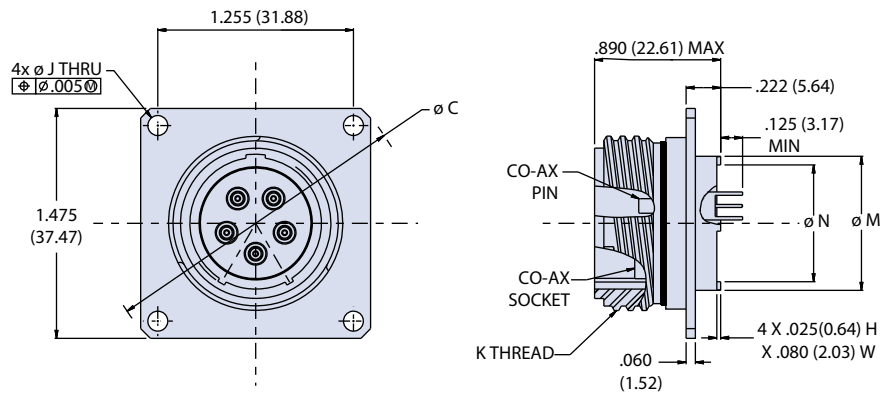
Glass-Sealed Hermetic Receptacle with PC Tail Coax Contacts



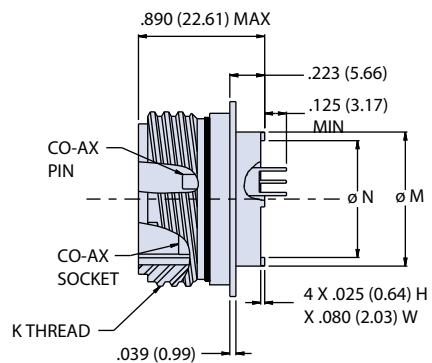
JAM NUT, REAR PANEL MOUNT RECEPTACLE - SHELL STYLE 07



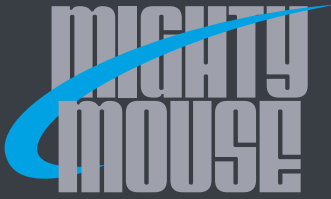
SQUARE FLANGE, FRONT OR REAR PANEL MOUNT, THRU-HOLE RECEPTACLE - SHELL STYLE 02



SOLDER MOUNT MOUNT RECEPTACLE - SHELL STYLE 03



SERIES 805 TRIPLE-START ACME THREAD



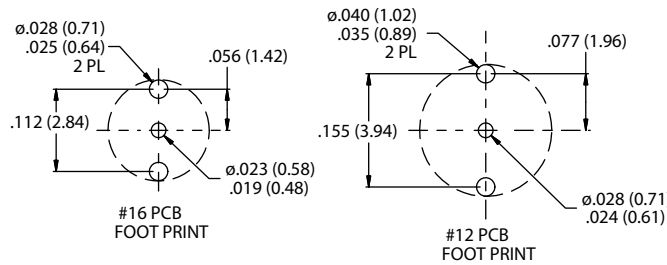
SERIES 805 TRIPLE-START ACME THREAD Mighty Mouse Connectors and Cables



Glass-Sealed Hermetic Receptacle with PC Tail Coax Contacts

Dimensions												
Shell Size	A SQ	B BSC	Ø C	Ø D	E FLAT	F FLAT	J HOLES	K THREAD	L THREAD	Ø M	Ø N	Ø P
8	.850 (21.59)	.660 (16.76)	1.150 (29.21)	.760 (19.30)	.730 (18.54)	.535 (13.59)	.096 (2.44) .091 (2.31)	.5000-.1P-.3L-TS	.5625-28 UN-2A	.330 (8.38)	.230 (5.84)	.625 (15.88)
9	.913 (23.19)	.723 (18.36)	1.230 (31.24)	.880 (22.35)	.850 (21.59)	.661 (16.79)		.5625-.1P-.3L-TS	.6875-28 UN-2A	.432 (10.97)	.322 (8.18)	.688 (17.48)
10	.975 (24.76)	.785 (19.94)	1.330 (33.78)	.880 (22.35)	.850 (21.59)	.661 (16.79)		.6250-.1P-.3L-TS	.6875-28 UN-2A	.493 (12.52)	.386 (9.80)	.750 (19.05)
11	1.039 (26.39)	.848 (21.54)	1.410 (35.81)	.955 (24.26)	.925 (23.50)	.721 (18.31)		.6875-.1P-.3L-TS	.7500-28 UN-2A	.553 (14.05)	.442 (11.23)	.812 (20.62)
12	1.099 (27.91)	.909 (23.09)	1.500 (38.10)	1.060 (26.92)	1.035 (26.29)	.784 (19.91)		.7500-.1P-.3L-TS	.8125-28 UN-2A	.620 (15.75)	.513 (13.03)	.875 (22.23)
13	1.163 (29.54)	.973 (24.71)	1.590 (40.39)	1.120 (28.45)	1.090 (27.69)	.843 (21.41)		.8125-.1P-.3L-TS	.8750-28 UN-2A	.661 (16.79)	.554 (14.07)	.938 (23.83)
15	1.288 (32.72)	1.058 (26.87)	1.750 (44.45)	1.203 (30.56)	1.173 (29.79)	.970 (24.64)	.130 (3.30) .126 (3.20)	.9375-.1P-.3L-TS	1.0000-28 UN-2A	.703 (17.86)	.594 (15.09)	1.062 (26.97)
18	1.475 (37.47)	1.255 (31.88)	2.000 (50.80)	1.389 (35.28)	1.359 (34.52)	1.147 (29.13)		1.1250-.1P-.3L-TS	1.1875-28 UN-2A	.863 (21.92)	.750 (19.05)	1.250 (31.75)
19	1.537 (39.04)	1.327 (33.71)	2.094 (53.19)	1.450 (36.83)	1.420 (36.07)	1.221 (31.01)		1.1875-.1P-.3L-TS	1.2500-28 UN-2A	.912 (23.16)	.805 (20.45)	1.312 (33.32)
21	1.663 (42.24)	1.452 (36.88)	2.270 (57.66)	1.580 (40.13)	1.550 (39.37)	1.350 (34.29)		1.3125-.1P-.3L-TS	1.3750-28 UN-2A	1.017 (25.83)	.910 (23.11)	1.438 (36.53)
23	1.787 (45.39)	1.576 (40.03)	2.440 (61.98)	1.705 (43.31)	1.675 (42.55)	1.470 (37.34)		1.4375-.1P-.3L-TS	1.5000-28 UN-2A	1.162 (29.51)	1.050 (26.67)	1.562 (39.67)

PCB FOOTPRINTS



SERIES 805 TRIPLE-START ACME THREAD